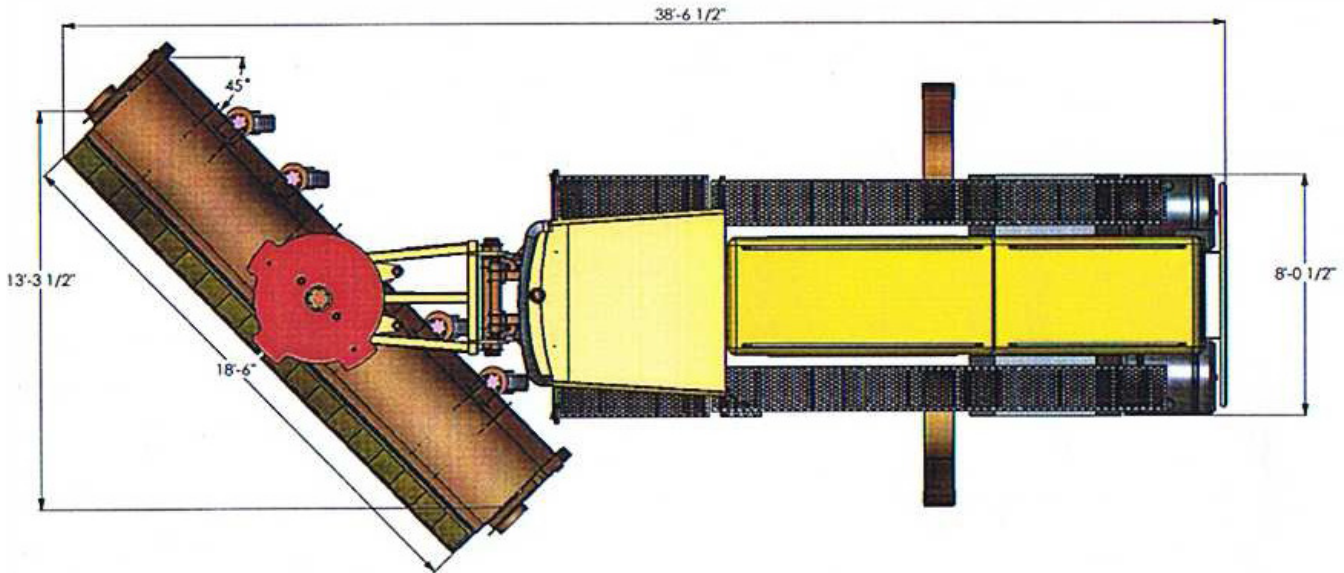


WAUSAU Model HSB 5200 SNOSaw™ Runway Broom



Wausau Equipment Company, Inc.
1905 South Moorland Road
New Berlin, WI 53151-2321
U.S.A.

800-788-6066 ~ 262-784-6066
262-784-6720 - fax

ISO 9001:2000 Certified

WAUSAU • EVEREST
HEAVY-DUTY SNOW & ICE CONTROL



Wausau-Everest L.P. reserves the right to change products and specifications without notice.

Visit us at www.wausau-everest.com

Everest Equipment Company
1077 Westmount
Ayer's Cliff, Quebec J0B 1C0
CANADA

819-838-4257
819-838-5653 - fax



WAUSAU Model HSB 5200 SNOSaw™ Runway Broom

Broom/Airblast Configuration

- **Truck Mounted High Speed Broom Head**
- **Truck Hitch** - Parallel Lift Quick-Disconnect
- **Auxiliary Power Unit** w/Airblast Assembly

Broom Head

- **Heavy Duty Welded Construction**
- **Dual Motor End Drive** – hydrostatically driven
- **Angles Left/Right 45 Degrees** – hydraulically
- **Broom Weight** – Centered on Chassis at all angles
- **Side to Side Oscillation** – Eight (8) degrees
- **Casters** – 360° rotation w/Shimmy Dampeners
- **Caster Tires** – 18x7x8 16 Ply
- **Brush Pattern Adjustment** – Tool-less

Broom Hood

- **Full Length Welded Steel Shell**
- **Integral Heat Exchanger** – to melt snow/ice
- **Snow Shed Hood** – UHMW Polyethylene Cover
- **Snow Stripper** – Automatic Adjustment

Brush

- **Brush Length** - 18'6", 20'6", or 22'6"
- **Brush Diameter** – 46 in or 52 in
- **Brush Type** – 19-1/2" I.D. Segments w/Spacers
- **Poly and/or Crimped Wire Bristles**
- **Brush Cores** – Welded Tubular Steel
- **Dual Core Design** – 2" Center Gap Maximum

Quick Hitch

- **Parallel "Lift to Attach" Design**
- **Quick Disconnect** - No Tools Required
- **Weight Transfer System** for Attachments

(Patents Pending)

Engine Power Unit

- **Caterpillar** or **Cummins** available
- **300 H.P.** thru **700 H.P.** available
- **Electronically Controlled**
- **Turbo Charged & Charge Air Cooled**
- **Flywheel Mounted 2-Pad Pump Drive**
- **Cooling Package** – Heavy Duty Fan/Radiator
- **Air Cleaner** – Dual Element w/Pre-Cleaner
- **Engine Compartment** – Fully Enclosed w/Doors

Transmission

- **Eaton Hydrostatic Components**
- **Pumps** – Model 64 Mounted in Tandem
- **Motors** – Model 64 w/Hot Oil Shuttle Valve
- **RPM/Torque** – 540 Broom RPM @ 5050 Ft/Lbs
or 750 Broom RPM @ 3600 Ft/Lbs
- **Warranty** – Three (3) Years by Manufacture

Air Blast Unit

- **Dual Impeller** – Left & Right Hand Duct/Nozzles
- **24,000 CFM Volume Rating**
- **Up to 450 MPH Velocity**
- **Interlocked with Broom Controls**
- **Complete Swept path covered** by airflow
- **Ducts Fold In** for Clearance while Transporting

Hydraulic System & Controls

- **Pressure Compensated Hydraulic Pump**
- **Oil Reservoir, Filters, Valves, Disconnects, Oil Cooler, Hoses & Fittings per SAE standards**
- **Controls** – Located in the cab within easy reach
- **Up/Down, Left/Right, Hitch Lift, Deflector, etc.**

Options

- **Cassette Section Strip Brush**
- **Snow Shed (dump) Hood**
- **Snow Deflector** - Operator Controlled

(Wausau-Everest, L.P. reserves the right to change specifications without notice.)

Wausau Equipment Company, Inc.
1905 South Moorland Road
New Berlin, WI 53151-2321
U.S.A.

800-788-6066 ~ 262-784-6066
262-784-6720 - fax

ISO 9001:2000 Certified

WAUSAU • EVEREST
HEAVY-DUTY SNOW & ICE CONTROL



Wausau-Everest L.P. reserves the right to change products and specifications without notice.

Visit us at www.wausau-everest.com

Everest Equipment Company
1077 Westmount
Ayer's Cliff, Quebec J0B 1C0
CANADA

819-838-4257
819-838-5653 – fax